

»FUTURA-mini« series

Pneumatic systems or parts of systems can be switched on and off by means of an pneumatic signal.
3/2-way type including silencer.
When they are switched off, the system is exhausted at the same time.

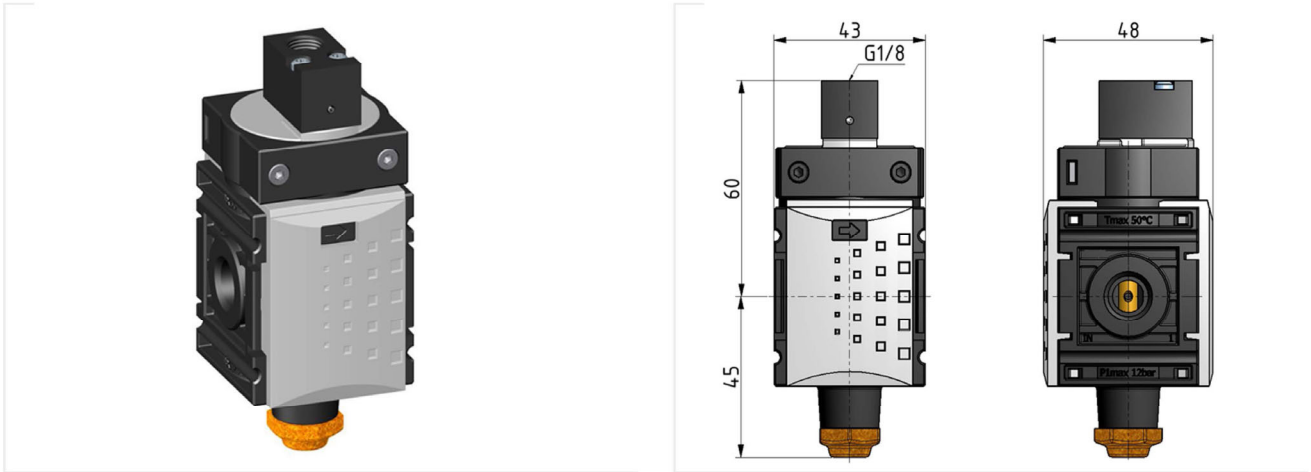
Max. input pressure	12 bar
Temperature range	-10 °C to 50 °C
Medium	Compressed air, neutral gases
Housing	PA66 GF60
Connecting thread	Plastic
Exhaust air	G 1/4
Flow rate	2000 l/min
Flow rate measurement	At P ₂ = 6 bar and pressure drop Δ _p = 1 bar

3/2-way valve, pneumatically operated

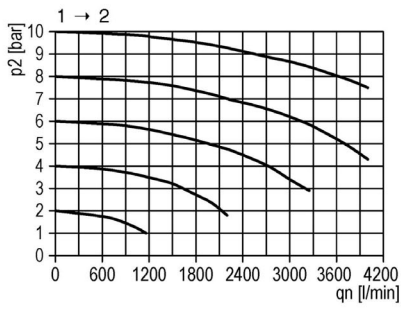
Art. No.	Type No.	Thread	Pilot air connection	Size
142524	FUM 921	G 1/4	G 1/8	0

Accessories / spare parts

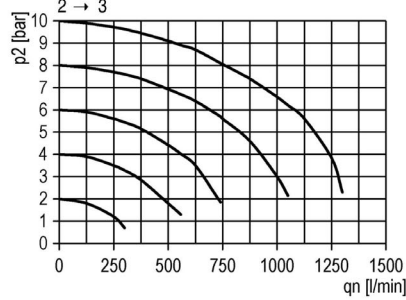
Art. No.	Type No.	Description
143105	H 848	Mounting bracket, incl. 2 screws
143010	WKM 100	Coupling package for wall mounting incl. 2 screws and O-ring
143022	KPM 100	Coupling package incl. 2 screws and O-ring
100405	568-2	Silencer
152077	WK 100-14	Wall bracket with connection thread G 1/4



flow characteristic



rear exhaust



symbol

